

HXDN-240W SERIES



FEATURES

- DC O/P Voltage Adjustable
- Protections: Short circuit/Overload/Over voltage/Over temperature
- High efficiency and low power dissipation
- Installation: DIN Rail TS-35/7.5 & 15
- Universal AC Input:90-264V
- Built-in DC OK relay contact
- Free Air Convection Design
- 4 Years Warranty
- Works on DC Input (120~370VDC) also

IS 13252 (Part 1) 2010/
IEC 60950-1:2005



R-62006220
www.bis.gov.in



HXDN-240 is a metal case power family designed with slim housing and for full range AC input from 90 VAC To 264VAC. The series are single phase power supply, providing adjustable DC output voltage. They have high efficiency and operate in wide temperature range. The series can widely used for industrial automation & control systems, varied equipments etc.

SELECTION GUIDE

Product Model	DC Voltage	Rated Current(max)	Rated Power
HXDN-240-24	24V	10A	240W
HXDN-240-48	48V	5A	240W

INPUT CHARACTERISTICS

Parameter	Units	Model
NOMINAL INPUT VOLTAGE	100-240 VAC	
VOLTAGE RANGE	90~264VAC,120~370VDC	
FREQUENCY RANGE	47~63Hz	
POWER FACTOR(TYP.)	>0.98/115VAC at full load	
	>0.95/230VAC at full load	
EFFICIENCY(TYP.)	88%	HXDN-240-24
	88%	HXDN-240-48
No Load Power Consumption	6W max.	
AC CURRENT(TYP.)	2.5A/115VAC	
	1.3A/230VAC	
INRUSH CURRENT(TYP.)	20A/115VAC, Cold Start	
	35A/230VAC, Cold Start	
LEAKAGE CURRENT	2mA max.	
START-UP WITH CAPACITION LOADS	60000 μ F min	

OUTPUT CHARACTERISTICS

Parameter	Units
RIPPLE & NOSE(MAX.)	150mVp-p
VOLTAGE TOLERANCE	\pm 2.0%
LINE REGULATION	\pm 0.5%
LOAD REGULATION	\pm 1.0%
SET-UP, RISE & HOLD UP TIME	3000ms max. / 100ms max. / 22ms Typ. 115VAC at full load
	1500ms max. / 100ms max. / 28ms Typ. 230VAC at full load

Parameter	Units	Model
VOLTAGE ADJ. RANGE	24~28V	HXDN-240-24
	48~55V	HXDN-240-48

PROTECTION

Parameter	Units	Model
OVER LOAD	105 ~ 130% rated output power	
	Protection Type: Hiccup mode, recovers automatically after fault condition is removed	
OVER VOLTAGE	29 ~ 33V	HXDN-240-24
	56 ~ 65V	HXDN-240-48
	Protection Type : Shut down o/p voltage, re-power to recover	
REVERSE OVER VOLTAGE	24.5 ~ 25.5V	HXDN-240-24
	48.5 ~ 49.5V	HXDN-240-48
	Protection Type: Shut down o/p voltage, re-power to recove	
OVER TEMPERATURE	Protection Type: Shutdown O/P Voltage, Re-Power To Recoverd After Temperature Goes Down	
INTERNAL FUSE AT L PIN	F5 A /250V	
SHORT CIRCUIT	Protection Type: Hiccup mode, recovers automatically after fault condition is removed	

FUNCTION

Parameter	Units
DC OK Relay Contact Ratings(max)	60VDC/0.3A, 30VDC/1A, 30VAC/0.5A resistive load

ENVIRONMENT

Parameter	Units
WORKING TEMP	-20 ~ +70 °C (Refer to "Derating curve")
START-UP TESTED TEMP.	-25°C (full load max.)
WORKING HUMIDITY	20 ~ 95% RH non-condensing
STORAGE TEMP., HUMIDITY	-40 ~ +85 °C, 10 ~ 95% RH
MTBF	Conducted by Parts Stress Analysis Prediction
	230.2K hrs min. MIL-HDBK-217F (25°C)
TEMP. COEFFICIENT	±0.03%/ °C (0 ~ 50 °C)
VIBRATION	Component:10 ~ 500Hz, 2G 10min./1cycle, 60min
	Each along X,Y,Z axes; Mounting: compliance to IEC60068-2-6
OVER VOLTAGE CATEGORY	Class II
POLLUTION DEGREE	2

SAFETY AND ELECTROMAGNETIC COMPATIBILITY

Parameter	Units
SAFETY STANDARDS	BS/EN62368-1
WITHSTAND VOLTAGE	I/P-O/P:3KVAC I/P-FG:2KVAC O/P-FG:0.5KVAC
ISOLATION RESISTANCE	I/P-O/P,I/P-FG,O/P-FG:>100M Ohms/500VDC/25°C/70%RH
EMC EMISSION	Compliance to BS EN/EN55032 , BS EN/EN61000-3-2,-3
EMC IMMUNITY	Compliance to BS EN/EN61000-4-2,3,4,5,6,8,11, BS EN/EN55035, BS
	EN/EN61000-6-2(BS EN/EN50082-2)

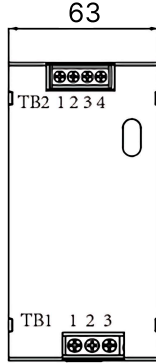
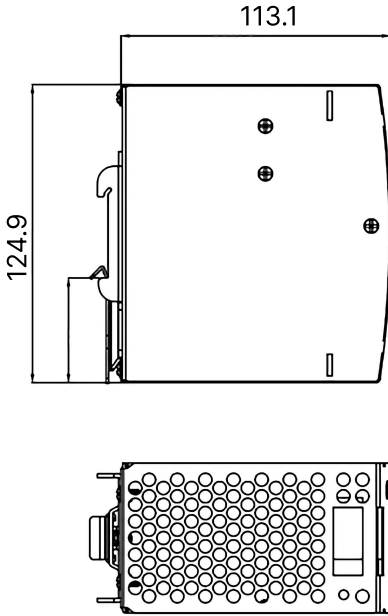
NOTE

1. All parameters NOT specially mentioned at 230VAC input, rated load and 25°C of ambient temperature.
2. Ripple & noise are measured from peak to peak with bandwidth limit of 20MHz (0.1uF and 47uF/50V parallel capacitor under DC output full load, AC nominal input 25°C).
3. Installation clearances : top with 40mm, bottom with 20mm, left and right with 5mm. Increase the space to 10-15mm when the adjacent device is heat source.
4. Derating may be needed under low input voltage .Please check the derating curve for more details.
5. The ambient temperature derating of 3.5°C/1000m for operating altitude higher than 2000m(6500ft).

MECHANICAL & PACKING

Parameter	Units
Housing material	Aluminium / steel
Dimensions(HXWXD)	124.9×63×113.1mm(4.92×2.48×4.45inch)
Weight	1.03kg
Connection Method	Input & Output, Screw connection
Terminal	Input 3 pins / Output 4 pins
Wire	Input 24-12AWG / 0.2-2.5mm ²
	Output 24-12AWG / 0.2-2.5mm ²
Stripping length	Input 6.8mm, Output 5.8-6.2mm
Tightening torque	Input 0.4Nm, Output 0.5Nm
Mounting Rail	Standard TS35 DIN Rail in accordance with EN60715
Inner box	1pcs / box, 15.5 * 10 * 15.4cm / 6.1 * 3.94 * 6.06in
Outer carton	8pcs/carton, 52.5 * 33 * 17.5cm / 20.67 * 12.99 * 6.89in

DRAWING AND LABEL



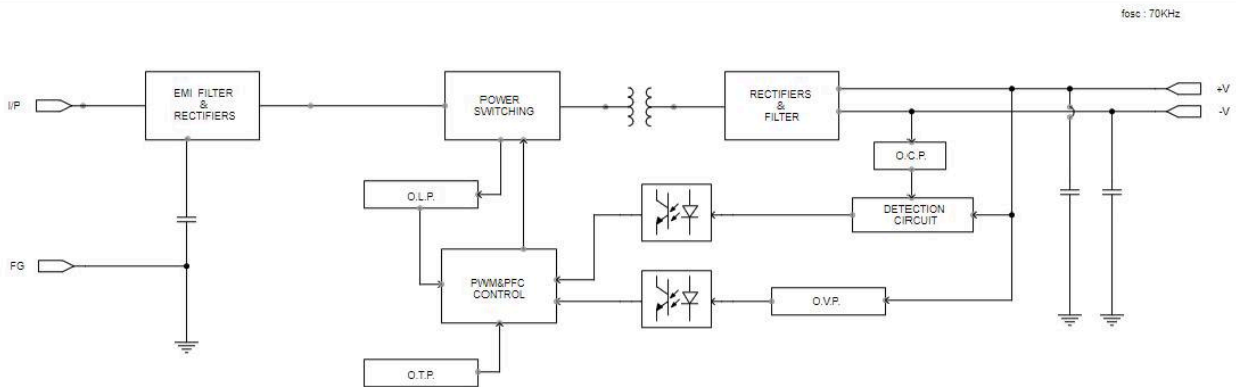
Terminal Pin No Assignment (TB1)

Pin No	Assignment
1	FG
2	AC/N or DC-
3	AC/L or DC+

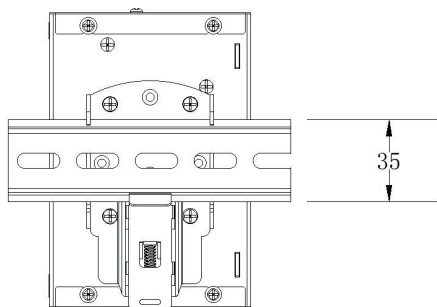
Terminal Pin No Assignment (TB2)

Pin No	Assignment
1,2	DC OUTPUT -V
3,4	DC OUTPUT +V

BLOCK DIAGRAM

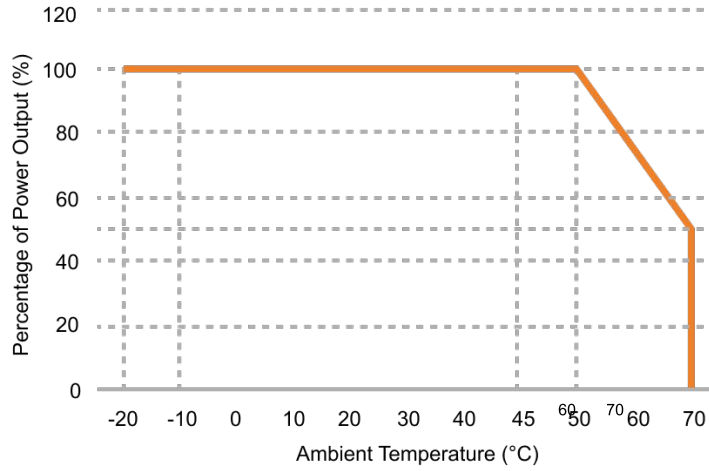


INSTALLATION INSTRUCTION



ADMISSIBLE DIN-RAIL: TS35/7.5 OR TS35/15
(For reference only. Not included with unit.)

DERATING CURVE



OUTPUT DERATING VS INPUT VOLTAGE

