

DCFIF_LS-1W Series



CE Report **RoHS**  WARRANTY

Features

- Wide operating temperature range : -40°C To +85°C
- Up to 85% efficiency
- No load current as low as 5mA
- Ripple as low as 30mVp-p
- Sustainable short-circuit protection

Description

Fixed Voltage Input, Output 1W, Isolated, Stabilized Voltage, Single Output, SIP Package, 3KV Isolation Voltage.

Model Numbering

DCFIFxxxLS-1W



Selection Guide

Product Model	Input Voltage Standard Value(range)	Output Voltage	Output Current (mA) (Max./Min.)	Efficiency % (Min./Typ.)	Maximum capacitive load (μ F)
DCFIF0303LS-1W	3.3VDC (2.97-3.63)	3.3	250/30	63/70	2400
DCFIF0305LS-1W		5	200/20	66/75	2400
DCFIF0309LS-1W		9	111/12	66/71	1000
DCFIF0312LS-1W		12	84/9	66/72	560
DCFIF0315LS-1W		15	67/7	66/72	560
DCFIF0324LS-1W		24	42/4	66/72	220
DCFIF0503LS-1W	5VDC (4.5-5.5)	3.3	250/30	63/70	2400
DCFIF0505LS-1W		5	200/20	66/75	2400
DCFIF0509LS-1W		9	111/12	66/71	1000
DCFIF0512LS-1W		12	84/9	66/72	560
DCFIF0515LS-1W		15	67/7	66/72	560
DCFIF0524LS-1W		24	42/4	66/72	220

Product Model	Input Voltage Standard Value(range)	Output Voltage	Output Current (mA) (Max./Min.)	Efficiency % (Min./Typ.)	Maximum capacitive load (μ F)
DCFIF0903LS-1W	9VDC (8.1-9.9)	3.3	250/30	63/70	2400
DCFIF0905LS-1W		5	200/20	66/75	2400
DCFIF0909LS-1W		9	111/12	66/71	1000
DCFIF0912LS-1W		12	84/9	66/72	560
DCFIF0915LS-1W		15	67/7	66/72	560
DCFIF0924LS-1W		24	42/4	66/72	220
DCFIF1203LS-1W	12VDC (10.8-13.2)	3.3	250/30	63/70	2400
DCFIF1205LS-1W		5	200/20	66/75	2400
DCFIF1209LS-1W		9	111/12	66/71	1000
DCFIF1212LS-1W		12	84/9	66/72	560
DCFIF1215LS-1W		15	67/7	66/72	560
DCFIF1224LS-1W		24	42/4	66/72	220
DCFIF1503LS-1W	15VDC (13.5-16.5)	3.3	250/30	63/70	2400
DCFIF1505LS-1W		5	200/20	66/75	2400
DCFIF1509LS-1W		9	111/12	66/71	1000
DCFIF1512LS-1W		12	84/9	66/72	560
DCFIF1515LS-1W		15	67/7	66/72	560
DCFIF1524LS-1W		24	42/4	66/72	220
DCFIF2403LS-1W	24VDC (21.6-26.4)	3.3	250/30	63/70	2400
DCFIF2405LS-1W		5	200/20	66/75	2400
DCFIF2409LS-1W		9	111/12	66/71	1000
DCFIF2412LS-1W		12	84/9	66/72	560
DCFIF2415LS-1W		15	67/7	66/72	560
DCFIF2424LS-1W		24	42/4	66/72	220

Input Characteristics

Parameter	Conditions	Min.	Typ.	Max.	Units	
Input current (Rated Load)	Nominal voltage input@3.3VDC	3.3VDC Output	--	390	410	mA
		5VDC Output	--	380	400	mA
		9VDC/12VDC Output	--	375	390	mA
		15VDC/24VDC Output	--	360	385	mA
	Nominal voltage input@5VDC	3.3VDC Output	--	290	310	mA
		5VDC Output	--	285	305	mA
		9VDC/12VDC Output	--	280	300	mA
		15VDC/24VDC Output	--	270	290	mA
	Nominal voltage input@12VDC	3.3VDC Output	--	125	130	mA
		5VDC Output	--	115	120	mA
		9VDC/12VDC Output	--	113	120	mA
		15VDC/24VDC Output	--	110	120	mA
	Nominal voltage input@15VDC	3.3VDC Output	--	95	100	mA
		5VDC Output	--	92	97	mA
		9VDC/12VDC Output	--	88	95	mA
		15VDC/24VDC Output	--	86	90	mA
	Nominal voltage input@24VDC	3.3VDC Output	--	59	65	mA
		5VDC Output	--	58	64	mA
		9VDC/12VDC Output	--	57	64	mA
		15VDC/24VDC Output	--	56	63	mA
Input current (No load)		--	5	20	mA	
Reflected ripple current		3	15	20	mA	
Input impulse voltage	1sec. max.	3.3VDC/5VDC Input	-0.7	--	9	VDC
		9VDC Input	-0.7	--	7	VDC
		12VDC Input	-0.7	--	18	VDC
		15VDC Input	-0.7	--	21	VDC
		24VDC Input	-0.7	--	30	VDC
Input filter	Capacitive filtering					

Remarks: This product does not support hot plug

Output Characteristic

Parameter	Conditions	Min.	Typ.	Max.	Units	
Output voltage accuracy		--	--	+/-3	%	
Linear regulation rate	Input voltage variation +/-1%	--	--	+/-0.25	%	
Load regulation rate	10% to 100% load	3.3VDC Output	--	--	+/-3	%
		Other Output	--	--	+/-2	%
Ripple & Noise	20MHz bandwidth	--	30	150	mVp-p	
Temperature drift coefficient	100%load	--	+/-0.02	--	%/°C	
Short circuit protection	Sustainable, Self-healing					

Note: The testing method for ripple and noise is the parallel line testing method.

General Characteristic

Parameter	Conditions	Min.	Typ.	Max.	Units
Isolation voltage	Input-output, Test time 1 minute, Leakage current less than1 mA	3000	--	--	VDC
Insulation resistance	Input-output, Insulation voltage 500VDC	1000	--	--	MΩ
Isolation capacitance	Input-output,100KHz/0.1V	--	20	50	pF
Working temperature	Temperature ≥ 85°C for derating (See Figure4)	-40	--	+105	°C
Storage temperature		-55	--	+125	°C
Storage humidity	Non condensing	--	--	95	%RH

Parameter	Conditions	Min.	Typ.	Max.	Units
Housing temperature rise during operation	Ta=25°C,Nominal Input, Full Output	--	15	25	°C
Soldering temperature resistance of pins	The distance from the welding spot to the shell is 1.5mm, 10 seconds	--	--	300	°C
	REFLOW: Peak temperature Tc≤245°C, maximum time above 217°C for 60 seconds.	--	--	245	°C
Switching frequency	Full load, Nominal input voltage	--	270	--	kHz
Mean time between failures 【MTBF】	MIL-HDBK-217F@25°C	3500	--	--	kHours

Physical Characteristics

Parameter	Contents
Housing material	Black flame retardant and heat-resistant plastic (UL94V-0)
Overall dimensions	19.65 × 6.00 × 10.16mm
Weight	2.1g(Typ.)
Cooling mode	Natural air cooling

EMC Characteristics

Parameter	Category	Content
EMI	Conductive disturbance	CISPR32/EN55032 CLASS B (The recommended circuit is shown in Figure 2)
	Radiation disturbance	CISPR32/EN55032 CLASS B (The recommended circuit is shown in Figure 2)
EMS	Electrostatic discharge	IEC/EN61000-4-2 Contact ±4KV perf. Criteria B

Circuit Design and Application

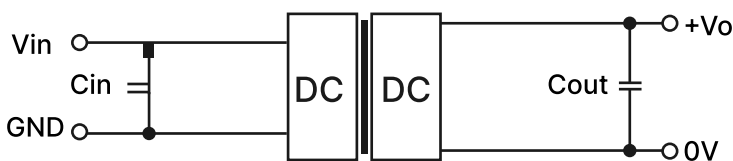


Figure 1: Application circuit

Table 1:
Recommended Capacitive Load Values

Vin(VDC)	Cin(μF)	Vo(VDC)	Cout(μF)
Nominal voltage	1-10	Nominal voltage	2.2-22

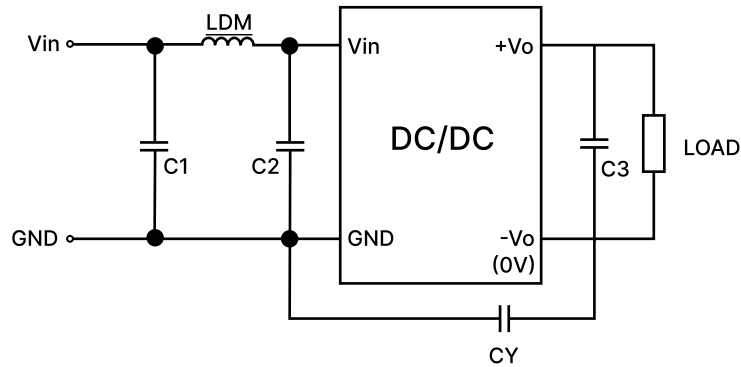


Figure 2: EMC Typical Recommended Circuits

Table 2:
Recommended Circuit Parameter Values

Category	Component	Value
EMI	C1	4.7 μ F /50V
	C2	4.7 μ F /50V
	C3,C4	2.2-22 μ F /50V
	CY	270pF/2kV
	LDM	6.8 μ H

1. Typical application: If further reduction of input and output ripple is required, a capacitor filter network can be connected at the input and output ends. The application circuit is shown in Figure 1. However, suitable filter capacitors should be selected. If the capacitance is too large, it may cause overcurrent or poor startup of the power supply. For each output, while ensuring safe and reliable operation, the recommended capacitance load values are shown in Table 1.

2. EMC requirements: For situations with high EMC requirements, a typical EMC recommended circuit is shown in Figure 2.

3. Input requirements: Ensure that the fluctuation range of the input voltage does not exceed the upper and lower limits of the input voltage specified in this data sheet, and the input power must be greater than the output power specified in this data sheet. For situations with a 24V input voltage, it is recommended to connect a TVS tube between the positive and negative input pins for protection (recommended parameters for TVS tubes: 30V, bidirectional, SOD-123 packaging).

4. Output load requirements: Try to avoid using it without load as much as possible; When the actual power of the load is less than 10% of the rated output power in this data sheet, or when it needs to be used in no-load situations, it is recommended to connect a load resistor externally at the output end. The load resistor can be calculated according to 5-10% of the rated power in this data sheet. The calculation formula for the load resistor value is $R_L = V_{out}^2 / (P_{out} * 10\%)$.

5. Overload protection: Under normal working conditions, the output circuit of this product has no protection function for overload situations. The simplest method is to connect a self recovery fuse in series at the input end, or add a circuit breaker outside the circuit; Or during design and selection, the actual power of the circuit should be around 60-80% of the rated power in this data sheet.

Product Characteristic Curve

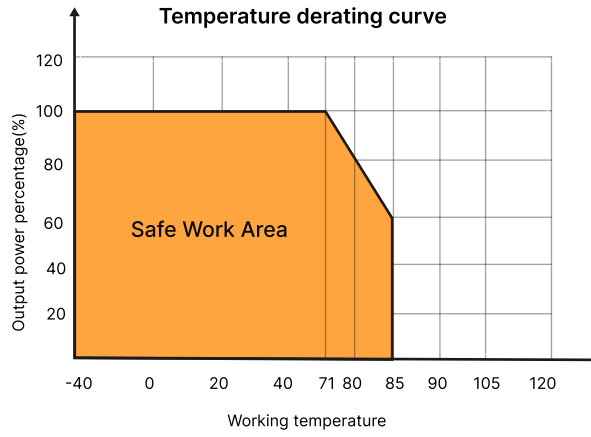


Figure 4: Temperature Derating Curve

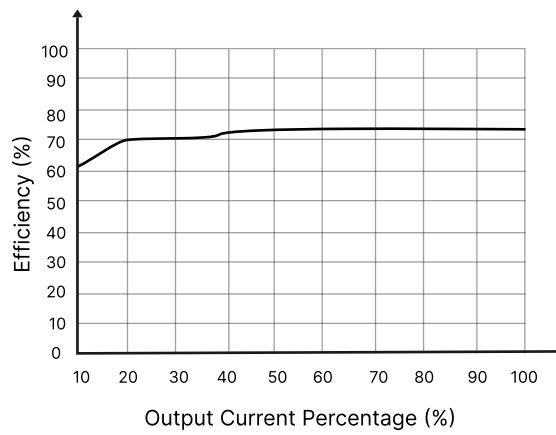


Figure 5: Efficiency Vs Output Load

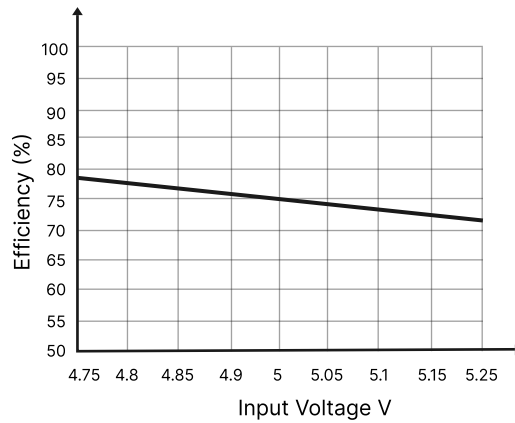


Figure 6: Efficiency Vs Input Voltage

Overall Dimensions and Pin Functions

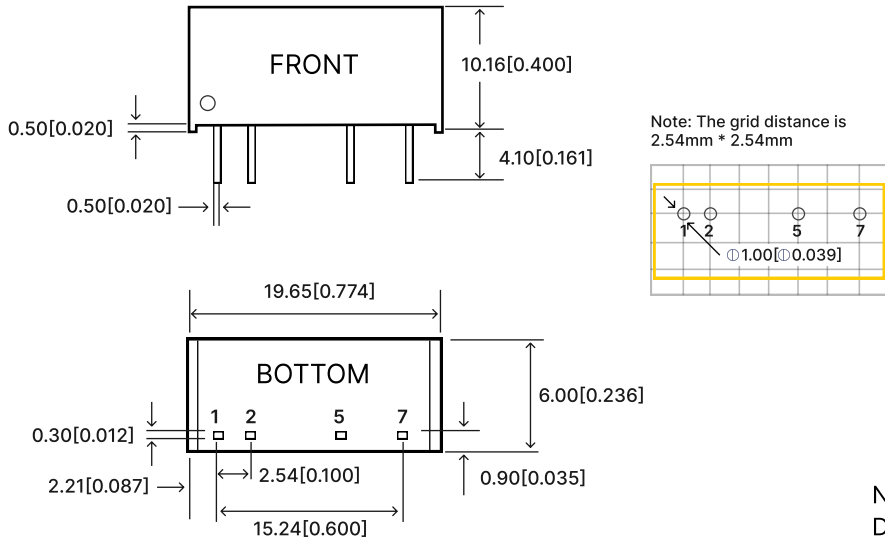


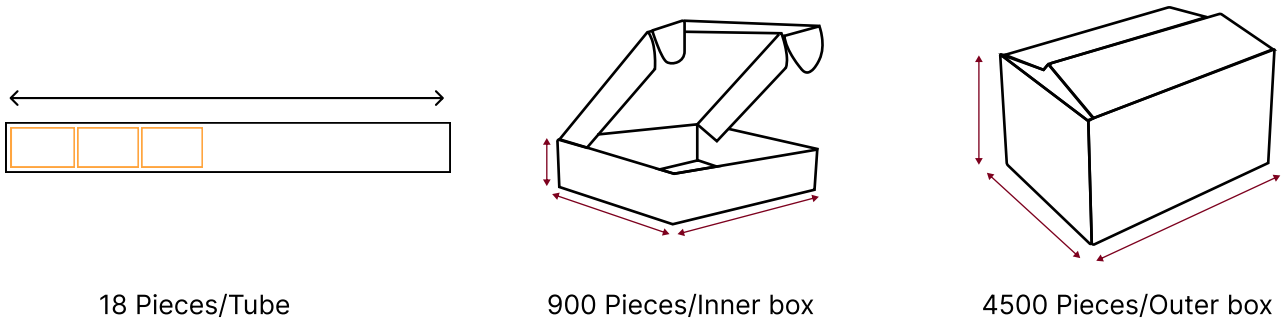
Figure 7: Overall dimensions

Table 3: Pin Function Table

Pin	Function
1	Vin
2	GND
5	0V
7	+Vo

Note:
Dimensions in mm
Terminal diameter tolerance: +/-0.10
Undeclared tolerance: +/-0.50

Packaging Method



18 Pieces/Tube

900 Pieces/Inner box

4500 Pieces/Outer box

Notes & Instructions

- 1.The input voltage shall not exceed the specified range value, otherwise permanent and unrecoverable damage maybe caused;
2. Unless otherwise specified,the parameters in this manual are measured at 25 °C,40%~75% humidity, input nominal voltage and output pure resistance mode under full load;
- 3.All index test methods are based on the company's enterprise standards.
- 4.The copyright and the final interpretation right of the product belong to HENXV.